

Airpura

AIR PURIFIERS

H600

Allergies & Asthma

Trap particles that can trigger asthma and allergies with true Hepa filtration

The Airpura H600

Specially designed for powerful particle filtration, the Airpura H600 offers a large true HEPA filter together with a HI-C carbon weave filter to add basic odor and chemical filtration. A pre-filter traps larger particles.

An excellent choice for asthma and allergies
Helps remove the airborne particles that trigger attacks.

A germicidal UV lamp available as an option

Sterilizes antigens and pathogens.

Situated in the filter chamber for maximum efficiency.

Removes:

Pet dander, dust mites, pollen, mold spores, asbestos fibers, droplets.

Effective for up to 2000 square feet

Cleans the air approximately every 30 minutes.



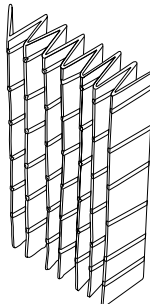
The Airpura H600

Available in
White / Black / Cream

The Airpura Limited Warranty
5 years parts 10 years labor

High Quality HEPA Filter

- 40 square feet of filtration surface with 1" deep folds.
- The Hepa is warm rolled to avoid cracking at the folds and avoid leakage.
- Spacers keep the folds open and make sure that all the surface area is filtering.



Long Lasting Filters

Hepa filters typically last 5 years in regular use.
Pre-filters can be vacuumed from the exterior of the unit and should be changed every 12 months depending on use
HI-C carbon weaves should be changed every 4-6 months depending on use

Protect yourself from the harmful effects of airborne particles

Airpura

AIR PURIFIERS

H600

Allergies & Asthma

Technical Specifications

Particle removal
40 sq ft true HEPA
(Measured 1 side only)
10 pleats per inch
Pleats warm rolled
with separators

Odor and chemical Suppression
306 sq" HI-C carbon weave

Air Flow 560 cfm
More cfm than any
other home unit available

Pre-filter
570 sq in x 1in

Housing
Powder coat steel

Size
23" x 15"

Weight
35lbs total

Voltage Options
115 or 220 volts

Watts
120 on high 40 on low

Sound Level
28.1 db on low (at 6 feet)
62.3 db on high (560 cfm)
(Room level 25.1)

ETL Certified
Conforms to
CSA C22.2 no 113
ANSI / UL 507

Your Airpura Dealer

Unique Features

- **True HEPA filter.** Traps 99.97% of particles as small as 0.3 microns. That's as small as some bacteria.
- **Hi-C Carbon Weave filter** for basic airborne chemical, gas and odor filtration
- **Cleanable pre-filter.** Simply vacuum through the mesh or change as necessary
- **Pressure seal** on the filter chamber ensures all the impurities pass through the filters and deliver a real 99.97% filtration.
- **Felt gaskets** seal the filter chamber. Maximize filtration with no rubber off-gassing found with other makes
- **All metal housing** ensures no plastic vapors are emitted
- **Variable speed motor** lets you choose your ideal level of filtration
- **Motor out of the air flow.** Most air purifiers blow the clean air over the motor and pick up impurities

Filtration System

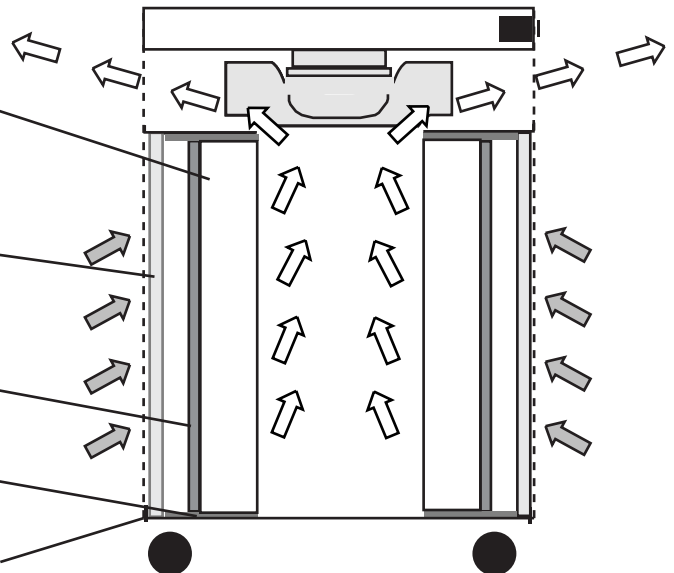
True HEPA filter
Traps 99.97% of particles
as small as 0.3 microns

Cleanable pre-filter
Vacuum through grill and
change every 12 months

Hi-C Carbon weave
Absorbs airborne chemicals,
noxious gases and odors

Felt gaskets
no rubber off gassing

Unique Pressure seals
ensure integrity of filter chamber



True HEPA filtration protects you against harmful airborne particles